

Technical specifications.

BMW X1.

X1 M35i xDrive.



BMW X1 M35i xDrive		
Body		
No. of doors / seats		5 / 5
Length/width/height (unladen)	mm	4505 / 1845 / 1622
Wheelbase	mm	2692
Track, front/rear	mm	1677 / 1679
Ground clearance	mm	189
Turning circle	m	11.7
Fuel tank capacity	approx. l	54
Engine oil ¹⁾	l	5.25
Weight, unladen, to DIN/EU	kg	1665 / 1740
Max. load to DIN	kg	575
Max. permissible weight	kg	2240
Max. axle load, front/rear	kg	1145 / 1190
Max. trailer load		
braked (12%/unbraked)	kg	- / -
Max. roofload/towbar download	kg	75 / -
Luggage comp. capacity	l	540 – 1600
Air resistance	cx x A	²⁾ x 2.50
Engine		
Config./No. of cyls./valves		In-line / 4 / 4
Engine technology		M TwinPower Turbo technology: turbocharger, High Precision Injection, VALVETRONIC fully variable valve timing, Double-VANOS variable camshaft timing
Effective capacity	cc	1998
Stroke/bore	mm	94.6 / 82.0
Compression ratio	:1	9.5
Fuel		Min. RON 91
Nominal power	kW/hp	221 / 300
at	rpm	5750 – 6500
Nominal torque	Nm	400
at	rpm	2000 – 4500
Output per litre	kW/l	110.6
Electrical System		
12V battery/installation	Ah/-	60 / engine compartment
Driving Dynamics and Safety		
Suspension, front		Single-joint spring strut axle in lightweight aluminium-steel construction, M-specific elastokinematics
Suspension, rear		Three-link axle in lightweight steel construction, M-specific elastokinematics
Brakes, front		Four-piston fixed-calliper disc brakes, vented
Brakes, rear		Single-piston floating-calliper disc brakes, vented
Driving stability systems		Standard: DSC incl. ABS and DTC (Dynamic Traction Control), ARB technology (near-actuator wheel slip limitation), CBC (Cornering Brake Control), DBC (Dynamic Brake Control), Performance Control, Dry Braking function, fading compensation, drive-off assistant, trailer stability control, DSC networked with xDrive all-wheel-drive system, adaptive M suspension
Safety equipment		Standard: airbags for driver and front passenger, side airbags for driver and front passenger, head airbags front and rear, interaction airbag between driver and front passenger, three-point inertia-reel seatbelts on all seats with belt tensioner and belt force limiter at the front, crash sensors, tyre pressure indicator
Steering		Electric Power Steering (EPS) with Servotronic function, sport steering
Steering ratio, overall	:1	14.7
Tyres, front/rear		245/45 R19 102Y XL
Rims, front/rear		8J x 19 light-alloy

BMW X1 M35i xDrive			
Transmission			
Type of transmission	Seven-speed Steptronic transmission with double clutch		
Gear ratios	I	:1	16.991
	II	:1	10.588
	III	:1	7.076
	IV	:1	4.910
	V	:1	4.001
	VI	:1	3.273
	VII	:1	2.522
	R	:1	16.323
Final drive		:1	1.737
Performance			
Power-to-weight ratio (DIN)	kg/kW		7.5
Acceleration 0–100 km/h	s		5.4
Top speed	km/h		250
BMW EfficientDynamics			
BMW EfficientDynamics standard features	Brake Energy Regeneration with recuperation display, Automatic Start/Stop function, PERSONAL and EFFICIENT mode with coasting function, Proactive Driving Assistant, Optimum Shift Indicator, Electric Power Steering, BMW EfficientLightweight, optimised aerodynamic attributes, active air flap control, on-demand operation of ancillary units, map-regulated oil pump, efficiency-optimised all-wheel drive, differential with optimised warm-up behaviour, tyres with reduced rolling resistance		
Fuel Consumption ECE			
Combined (WLTP)	l/100		8.5 – 8.0
Combined (NEDC)	l/100		–
CO ₂ (WLTP)	g/km		192 – 181
CO ₂ (NEDC)	g/km		–
Emission rating			Euro 6d

Specifications apply to ACEA markets/data relevant to homologation applies in part only to Germany
All figures are provisional.

¹⁾ Oil change

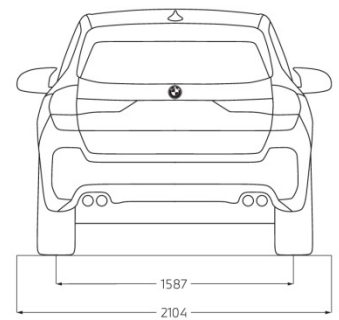
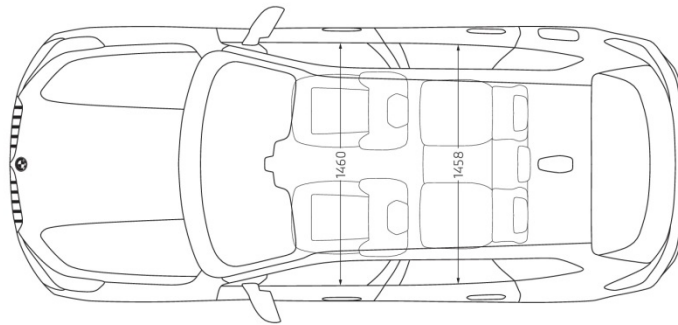
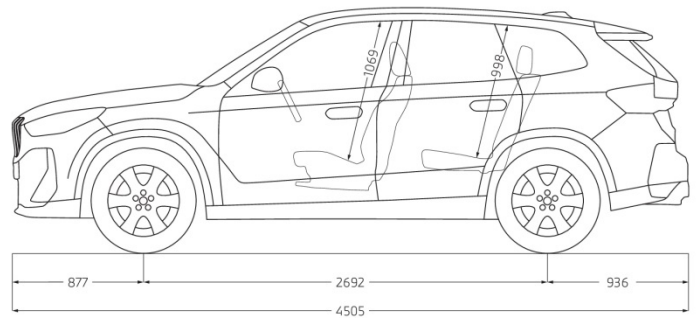
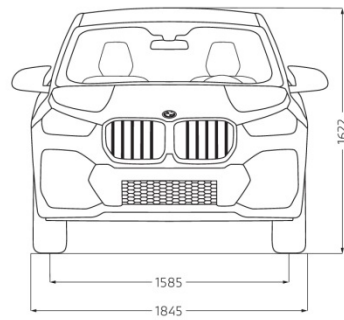
²⁾ Data not yet available

Official fuel consumption, CO₂ emissions, electric power consumption and electric range figures were determined based on the prescribed measurement procedure in accordance with European Regulation (EC) 2007/715 in the version applicable. Where a range is shown, the WLTP figures take into account the impact of any optional extras.

Only official figures based on the WLTP procedure are available for new models that have been type tested since 01.01.2021. In addition, according to EU Regulation 2022/195, the NEDC values will no longer be included in the EC certificates of conformity as of 01.01.2023. Further information on the WLTP and NEDC measurement procedures can also be found at www.bmw.de/wltp.

Further information on official fuel consumption figures and specific CO₂ emission values of new passenger cars is included in the following guideline: 'Leitfaden über den Kraftstoffverbrauch, die CO₂-Emissionen und den Stromverbrauch neuer Personenkraftwagen' (Guide to the fuel economy, CO₂ emissions and electric power consumption of new passenger cars), which can be obtained free of charge from all dealerships, from Deutsche Automobil Treuhand GmbH (DAT), Hellmuth-Hirth-Str. 1, 73760 Ostfildern-Scharnhausen and at <https://www.dat.de/co2/>.

Exterior and interior dimensions. BMW X1 M35i xDrive.



The dimensions indicated in the technical drawing are in millimetres and may vary depending on the model and the items of optional equipment fitted.
All figures are provisional.